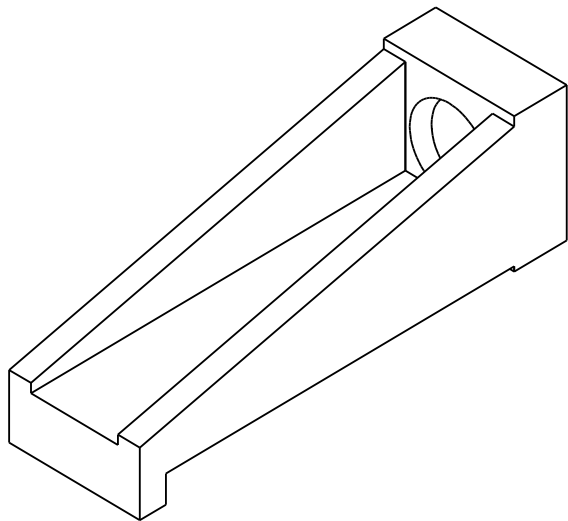
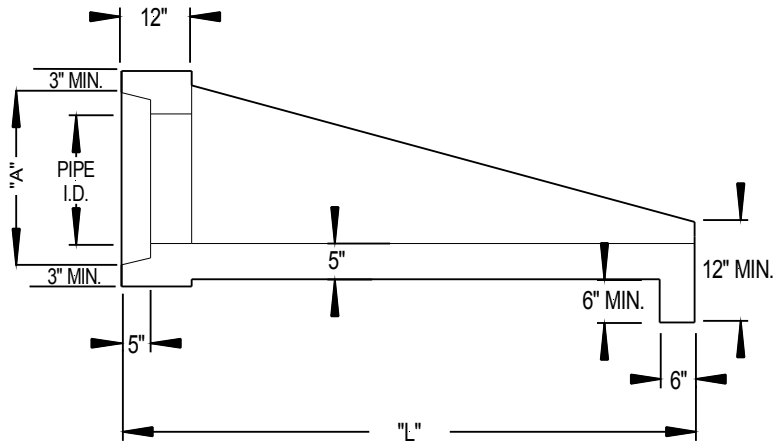
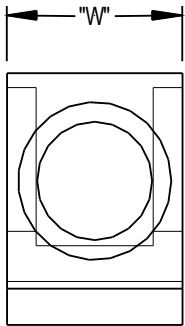


SAFETY END TREATMENT (S.E.T.)



SPECIFICATIONS

PIPE ID	SLOPE	WEIGHT	W	L	WALL	A
18"	6:1	2800 LBS	30"	98"	5"	24"
24"	6:1	4975 LBS	35"	150"	5"	31"



MFG. PER ASTM C1504-04 /5000# REINFORCED CONCRETE IN 28 DAYS
 PROJECT NAME: SAFETY END TREATMENT (S.E.T.)
 DATE: 6/11/07
 SCALE: NOT TO SCALE
 DETAILS:

TYLER PRODUCTS SALES, INC.

PRE-CAST CONCRETE PRODUCTS
 www.tylerproductsales.com
 PH. 903-593-8633
 FAX 903-593-8862