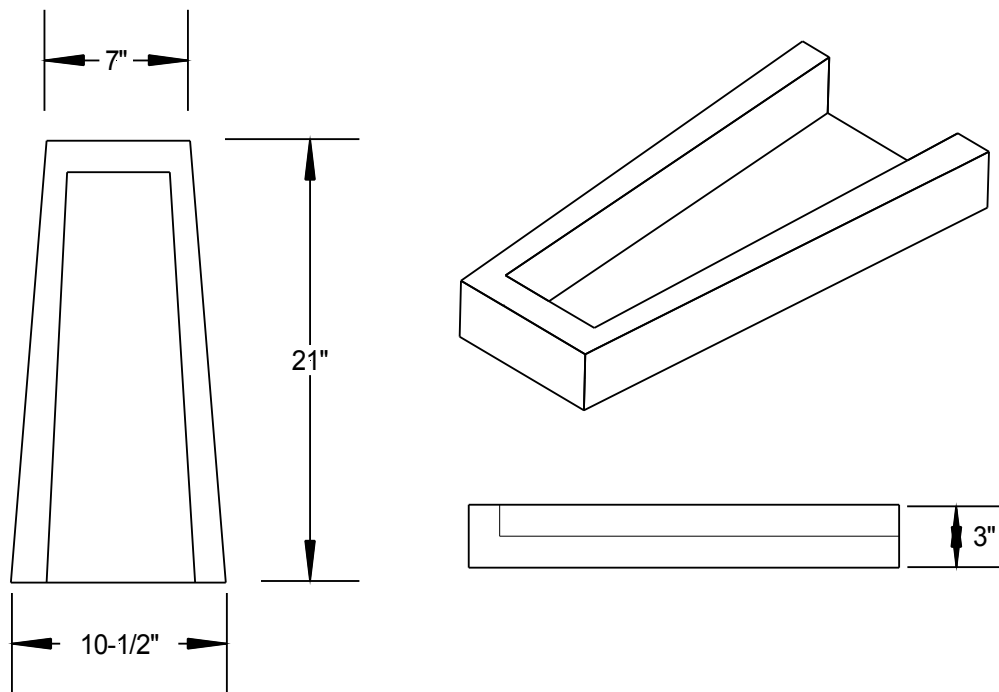


SPLASH BLOCK W/ FLAGSTONE FINISH



4000# REINFORCED CONCRETE IN 28 DAYS

DATE: 08/10/09

SCALE: 3/8" = 1'

TYLER PRODUCTS SALES, INC.
TPS

PRE-CAST CONCRETE PRODUCTS

www.tylerproductssales.com

PH. 903-593-8633

FAX 903-593-8862