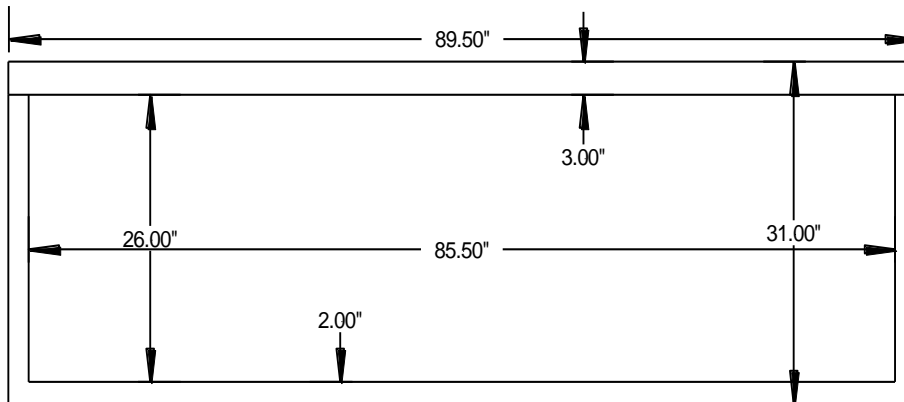


LID VIEW

STANDARD BURIAL BOX



SIDE VIEW

MEETS OR EXCEEDS ASTM C478-4000#
 REINFORCED CONCRETE IN 28 DAYS
 PROJECT NAME:
 DATE:
 SCALE: NOT TO SCALE
 DETAILS:



PRE-CAST CONCRETE PRODUCTS

www.tylerproductssales.com

PH. 903-593-8633

FAX 903-593-8862