

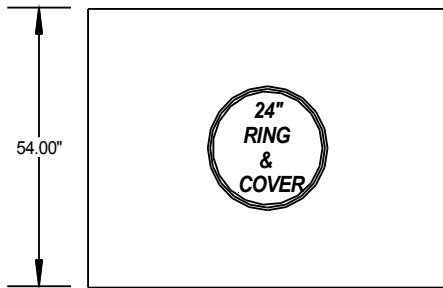
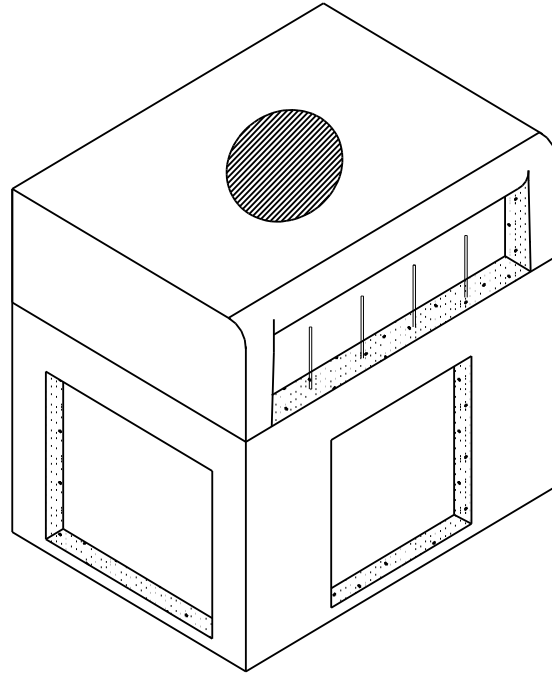
STANDARD 3 1/2'ID X 5'ID CURB INLET

CAN BE POURED
WITH OR WITHOUT
THINWALL KNOCKOUTS

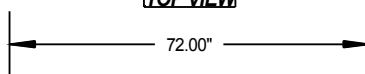
FLOOR---1 LAYER #4 BARS 8"O.C.
WALLS---1 LAYER #4 BARS 12"O.C.
TOP-----2 LAYERS #4 BARS 8"O.C.

OTHER DEPTHS AVAILABLE
UPON REQUEST

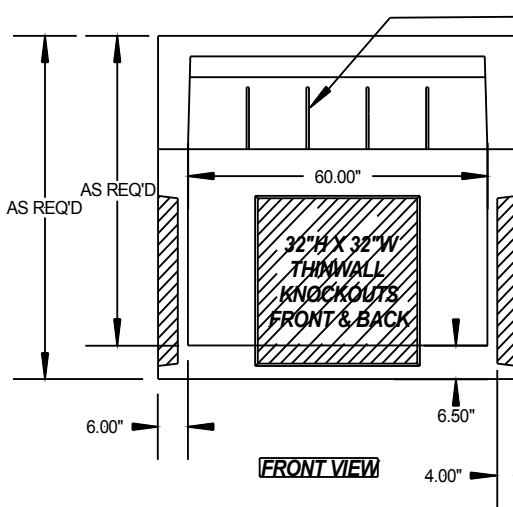
ALL JOINTS TO
BE TONGUE & GROVE



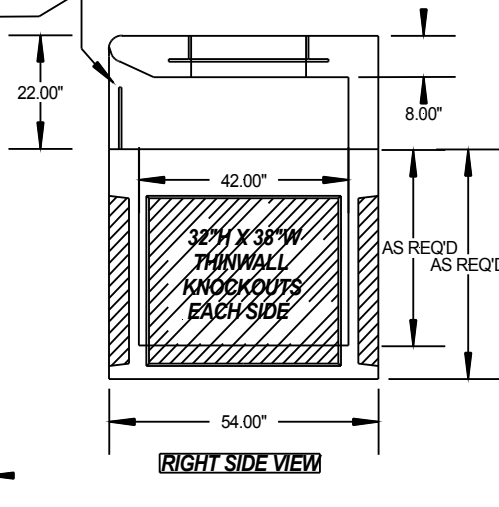
TOP VIEW



APPROX. 10"
EXPOSED
#4 BAR



FRONT VIEW



RIGHT SIDE VIEW

MFG. PER ASTM C478-4000# REINFORCED CONCRETE IN 28 DAYS
PROJECT NAME:
DATE:
SCALE: 3/8" = 1'
DETAILS:

TYLER PRODUCTS SALES, INC.
TPS

PRE-CAST CONCRETE PRODUCTS

www.tylerproductssales.com

PH. 903-593-8633

FAX 903-593-8862