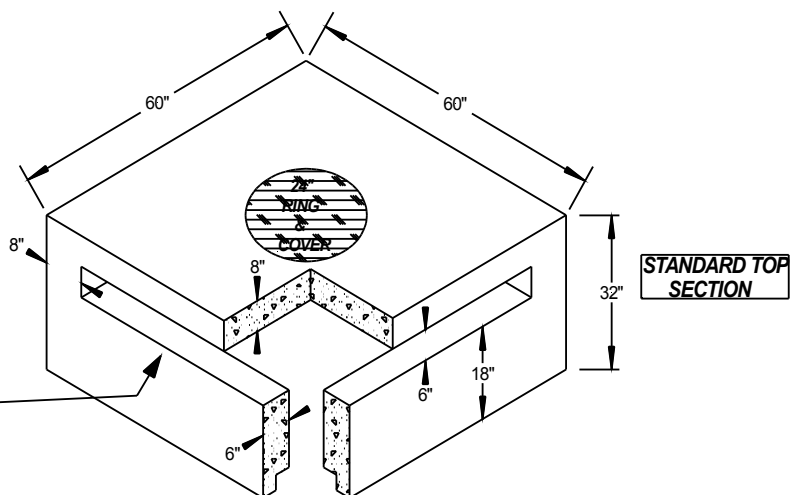
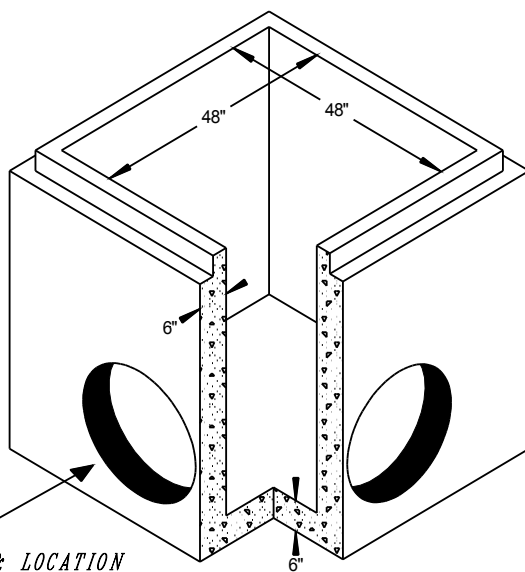


4' ID X 4' ID---Y-INLET



44" X 6" X 6" BLOCKOUT
STANDARD SIZE OPENING
CAN BE ON 1,2,3, OR 4 SIDES



HOLE SIZE & LOCATION
VARIES PER CUSTOMER
SPECIFICATIONS

VARIOUS HEIGHTS ARE
AVAILABLE UPON REQUEST

MFG. PER ASTM C478---5000 # REINFORCED CONCRETE IN 28 DAYS

SIDE WALLS TO BE CONSTRUCTED W/ 1/2" GRADE 60 REBAR ON 12" CENTERS EACH WAY

TOP TO BE CONSTRUCTED W/ 2 LAYERS OF 1/2" GRADE 60 REBAR ON 8" CENTERS EACH WAY

FLOOR TO BE CONSTRUCTED W/ 1/2" GRADE 60 REBAR ON 8" CENTERS EACH WAY

DATE: 8/1/06

SCALE: 3/8" = 1'

TYLER PRODUCTS SALES, INC.
TPS
PRE-CAST CONCRETE PRODUCTS

www.tylerproductsales.com

PH. 903-593-8633
 FAX 903-593-8862