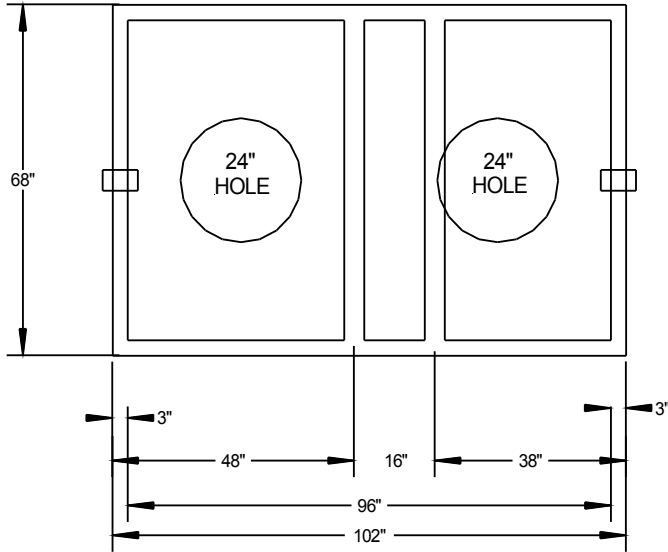
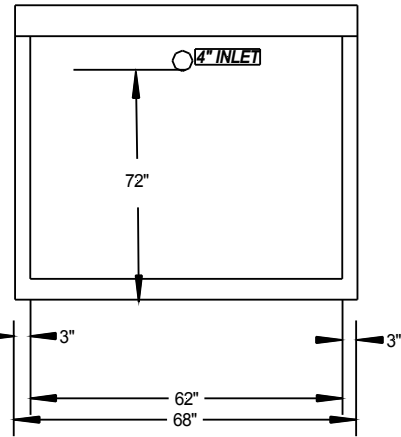
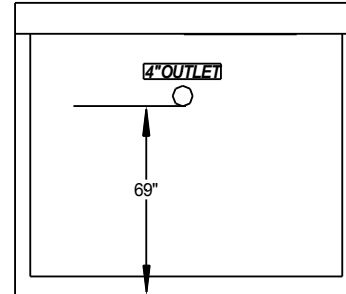


# 1500 GI

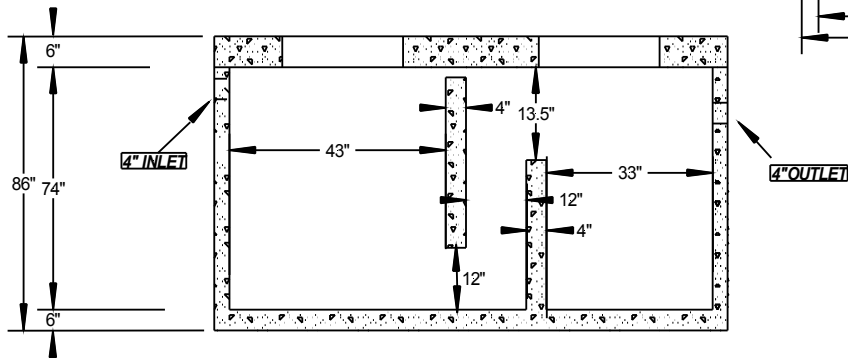
**LID VIEW**



**OUTLET VIEW**



**INLET VIEW**



**SIDE VIEW**

MFG. PER ASTM C478-5000# REINFORCED CONCRETE IN 28 DAYS  
PROJECT NAME: 1500 GI  
DATE: 9/18/09  
SCALE: NOT TO SCALE  
APPROX. WEIGHT 8500 LBS  
DETAILS: INTERIOR PVC PLUMBING  
TO BE SUPPLIED BY  
CONTRACTOR.

TYLER PRODUCTS SALES, INC.  
**TPS**

PRE-CAST CONCRETE PRODUCTS

[www.tylerproductsales.com](http://www.tylerproductsales.com)

PH. 903-593-8633

FAX 903-593-8862