

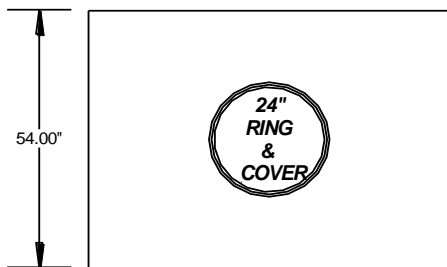
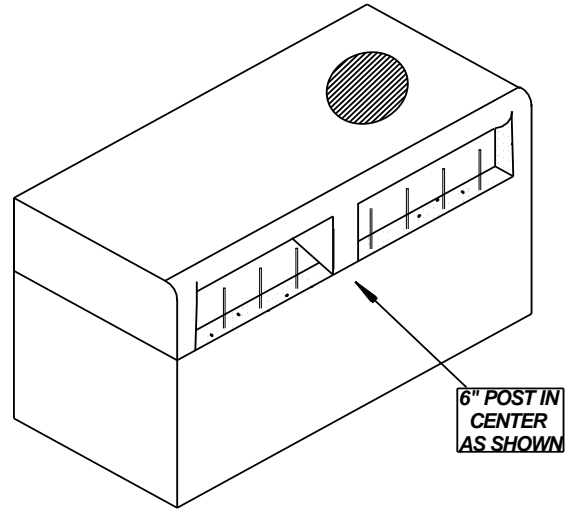
STANDARD 3 1/2'ID X 15 1/2'ID CURB INLET

**POURED WITH HOLES
AS REQUIRED**

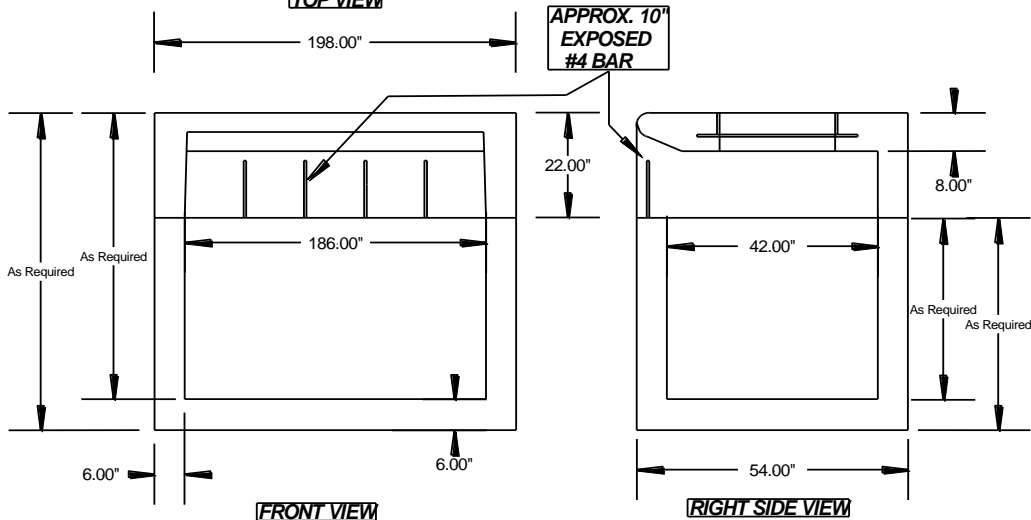
**FLOOR—1 LAYER #4 BARS 8" O.C.
WALLS—1 LAYER #4 BARS 8" O.C.
TOP—2 LAYERS #4 BARS 8" O.C.**

**OTHER DEPTHS AVAILABLE
UPON REQUEST**

**ALL JOINTS TO
BE TONGUE & GROOVE**



TOP VIEW



FRONT VIEW

RIGHT SIDE VIEW

MFG. PER ASTM C478-4000# REINFORCED CONCRETE IN 28 DAYS

PROJECT NAME:

DATE:

SCALE: NOT TO SCALE

DETAILS:

TYLER PRODUCTS SALES, INC.
TPS

PRE-CAST CONCRETE PRODUCTS

www.tylerproductsales.com

PH. 903-593-8633

FAX 903-593-8862