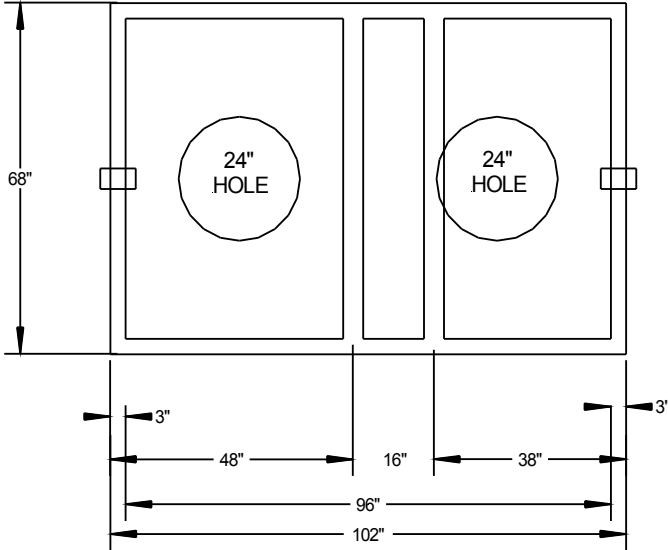
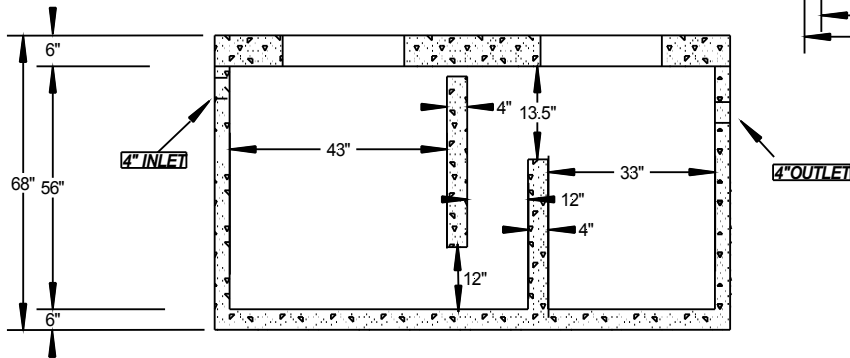
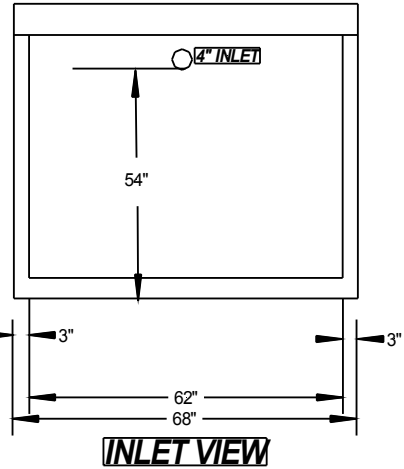
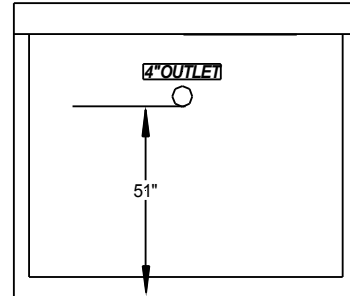


1000 GI

LID VIEW



OUTLET VIEW



SIDE VIEW

MFG. PER ASTM C478-5000# REINFORCED CONCRETE IN 28 DAYS
 PROJECT NAME: 1000 GI
 DATE: 9/18/09
 SCALE: NOT TO SCALE
 APPROX. WEIGHT 8500 LBS
 DETAILS: INTERIOR PVC PLUMBING
 TO BE SUPPLIED BY
 CONTRACTOR.

TYLER PRODUCTS SALES, INC.

TPS

PRE-CAST CONCRETE PRODUCTS

www.tylerproductsales.com

PH. 903-593-8633
 FAX 903-593-8862