

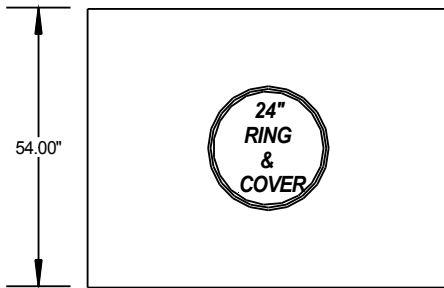
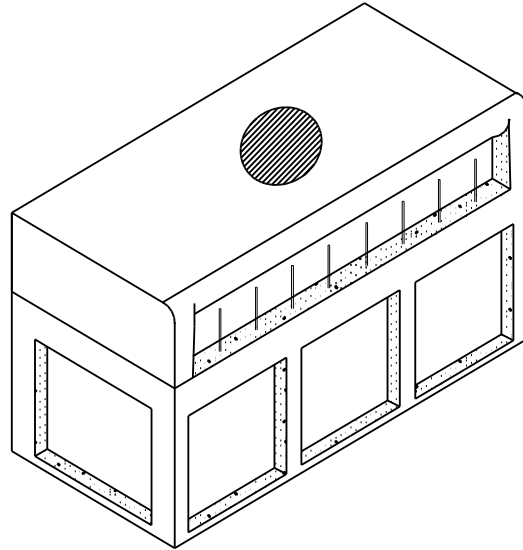
# STANDARD 3 1/2'ID X 10'ID CURB INLET

CAN BE POURED  
WITH OR WITHOUT  
THINWALL KNOCKOUTS

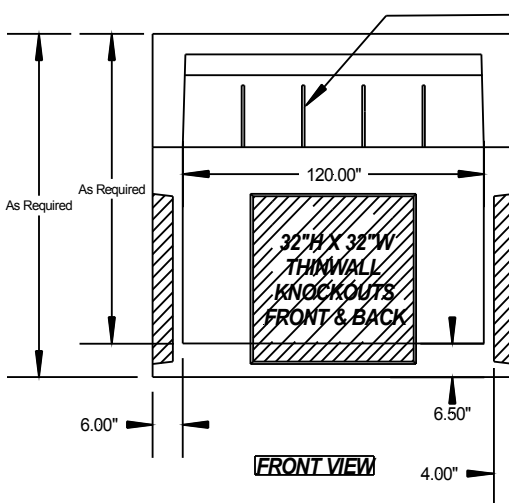
FLOOR----1 LAYER #4 BARS 8" O.C.  
WALLS----1 LAYER #4 BARS 12" O.C.  
TOP-----2 LAYERS #4 BARS 8" O.C.

OTHER DEPTHS AVAILABLE  
UPON REQUEST

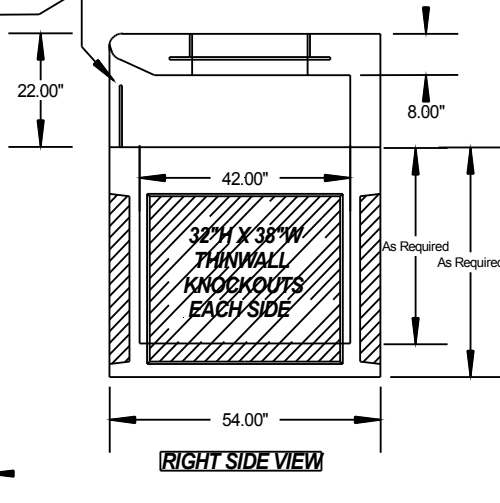
ALL JOINTS TO  
BE TONGUE & GROVE



TOP VIEW



FRONT VIEW



RIGHT SIDE VIEW

MFG. PER ASTM C478-4000# REINFORCED CONCRETE IN 28 DAYS  
PROJECT NAME:  
DATE:  
SCALE: 3/8" = 1'  
DETAILS:



PRE-CAST CONCRETE PRODUCTS

www.tylerproductsales.com

PH. 903-593-8633

FAX 903-593-8862