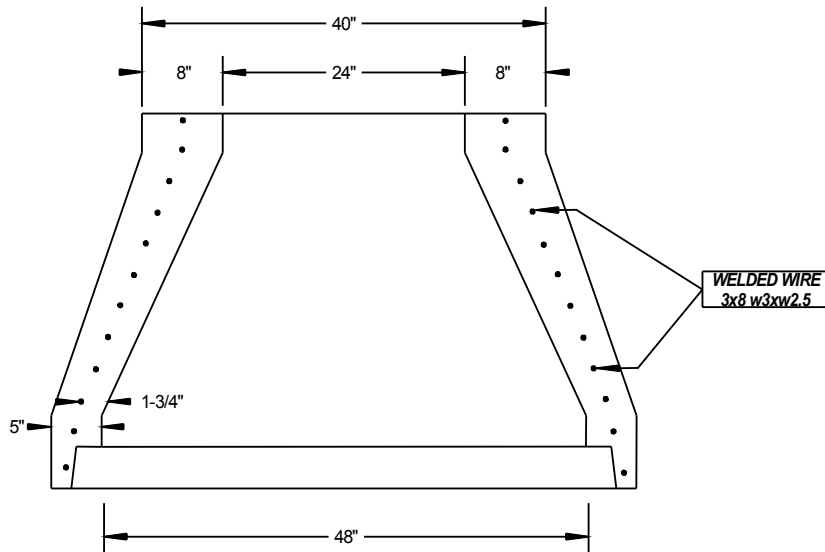


STANDARD 48" CONE SECTION W/ 24" OPENING

AVAILABLE IN
2', 2 1/2', & 3'
HEIGHTS



MEETS OR EXCEEDS ASTM C478
---4000 # REINFORCED CONCRETE IN 28 DAYS
TYPE 210-4G GASKET FOR OFFSET JOINT PER ASTM C443
H2O LOAD RATING

DATE: 8/10/09

SCALE: 3/8" = 1'

TYLER PRODUCTS SALES, INC.
TPS

PRE-CAST CONCRETE PRODUCTS

www.tylerproductssales.com

PH. 903-593-8633
FAX 903-593-8862