

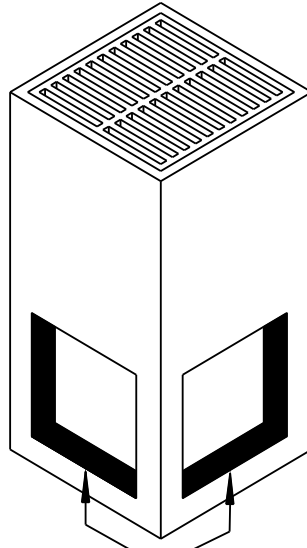
STANDARD 18" X 18" CATCH BASIN

WE STOCK 2', 3', & 4' HEIGHTS

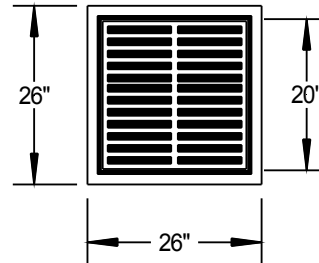
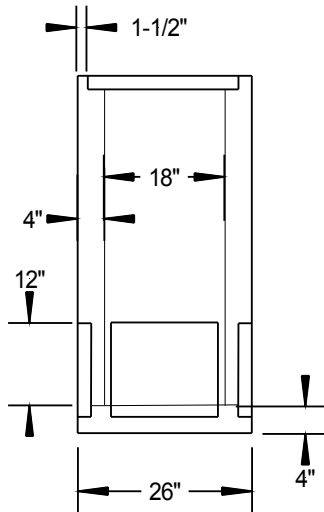
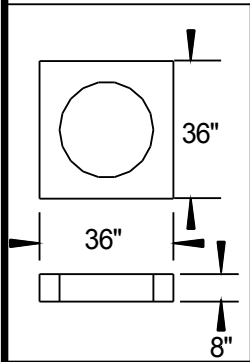
AVAILABLE IN VARIOUS HEIGHTS

**IF JUNCTION BOX IS NEEDED,
DELETE FRAME & GRATE AND
ADD THIS LID---CAN BE POURED
W/ 24/300 RING & COVER CAST IN**

**COMES STANDARD WITH
IMPORT CAST IRON
FRAME & GRATE**



**STANDARD 17" X 17"
THINWALL KNOCKOUTS
ON ALL 4 SIDES**



MEETS OR EXCEEDS ASTM C478
---4000 # REINFORCED CONCRETE IN 28 DAYS

H2O LOAD RATING

DATE: 8/10/09

SCALE: 3/8" = 1'

TYLER PRODUCTS SALES, INC.
TPS

PRE-CAST CONCRETE PRODUCTS

www.tylerproductsales.com

PH. 903-593-8633

FAX 903-593-8862